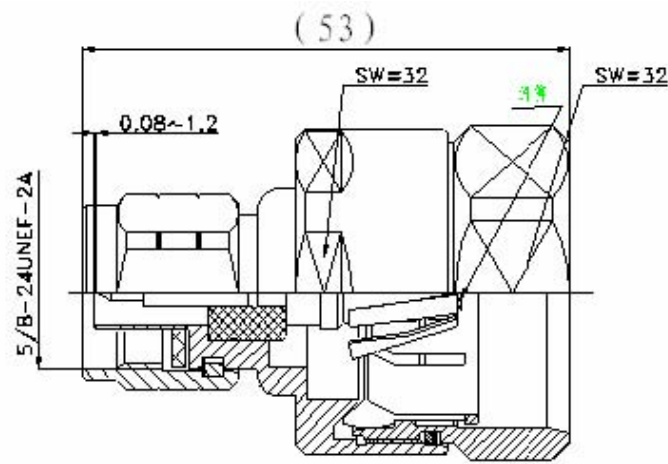


N Male Connector For 7/8" Foam Feeder Cable



Interface
According to

IEC 60169-16

Electrical

Characteristic Impedance

50 ohm

Frequency Range

DC-11GHz

VSWR

≤ 1.10 @DC-3000MHz

Dielectric Withstanding Voltage

$\geq 2500V$ RMS,50Hz,at sea level

Dielectric Resistance

$\geq 5000M\Omega$

Contact Resistance

Center Contact $\leq 1.0m\Omega$

Outer Contact $\leq 0.25m\Omega$

Mechanical

Durability

Mating cycles ≥ 500

Material and plating

	Material	Plating
Body	Brass	Ni
Insulator	PTFE	—
Center conductor	Phosphor bronze	Au
Coupling Nut	Brass	Ni
Gasket	Silicone Rubber	—
Other Parts	Brass	Ni

Environmental

Temperature Range

$-40^{\circ}C \sim +85^{\circ}C$

Weatherproof Rate

IP 68

RoHs Compliant