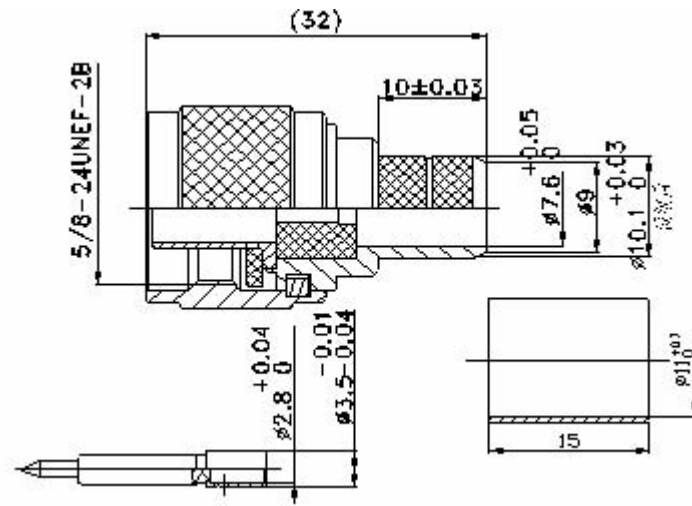


## N Male Crimp Connector For LMR400 Cable



Interface  
According to

IEC 60169-16

Electrical

Characteristic Impedance

50 ohm

Frequency Range

DC-11GHz

VSWR

≤1.30 @DC-6000MHz

Dielectric Withstanding Voltage

≥2500V RMS,50Hz,at sea level

Dielectric Resistance

≥5000MΩ

Contact Resistance

Center Contact ≤1.0mΩ

Outer Contact ≤0.25mΩ

Mechanical

Durability

Mating cycles ≥500

Material and plating

	Material	Plating
Body	Brass	Ni
Insulator	PTFE	—
Center conductor	Phosphor bronze	Au
Coupling Nut	Brass	Ni
Ferrule	Annealed Copper	Ni
Gasket	Silicone Rubber	—

Environmental

Temperature Range

-40℃~+85℃

Weatherproof Rate

IP 68

RoHs Compliant