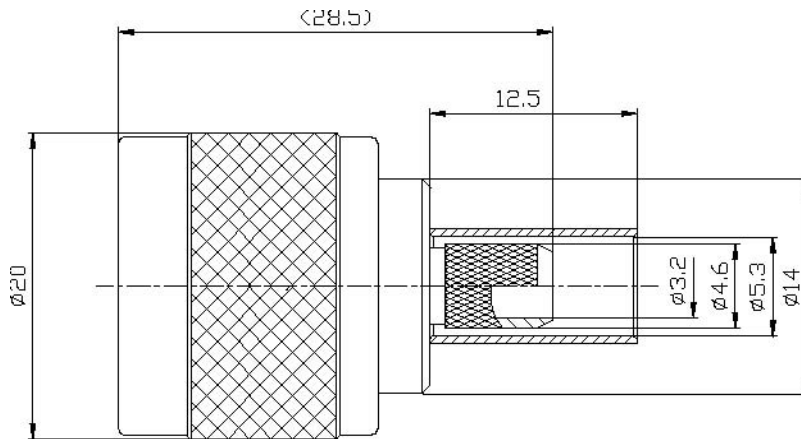


Dimension:



Interface		
According to		IEC 60169-16
Electrical		
Characteristic Impedance		50 ohm
Frequency Range		DC-11GHz
VSWR		$\leq 1.20$ @DC-3000MHz
Dielectric Withstanding Voltage		$\geq 2500V$ RMS, 50Hz, at sea level
Dielectric Resistance		$\geq 5000M\Omega$
Contact Resistance		Center Contact $\leq 1.0m\Omega$
		Outer Contact $\leq 0.25m\Omega$
Mechanical		
Durability		Mating cycles $\geq 500$
Material and plating		
	Material	Plating
Body	Brass	Ni
Insulator	PTFE	—
Center conductor	Phosphor bronze	Au
Coupling Nut	Brass	Ni
Ferrule	Annealed Copper	Ni
Gasket	Silicone Rubber	—
Environmental		
Temperature Range		$-40^{\circ}C \sim +85^{\circ}C$
Weatherproof Rate		IP 68
RoHs Compliant		