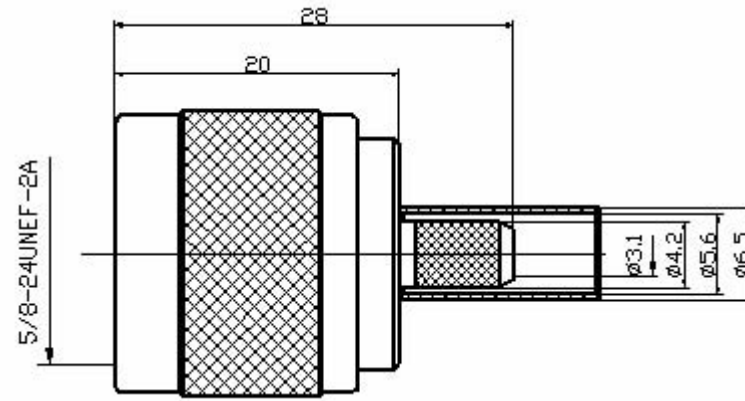


Dimensions:



Interface		
According to		IEC 60169-16
Electrical		
Characteristic Impedance		50 ohm
Frequency Range		DC-11GHz
VSWR		≤1.35 @DC-6000MHz
Dielectric Withstanding Voltage		≥2500V RMS,50Hz,at sea level
Dielectric Resistance		≥5000MΩ
Contact Resistance		Center Contact ≤1.0mΩ Outer Contact ≤0.25mΩ
Mechanical		
Durability		Mating cycles ≥500
Material and plating		
	Material	Plating
Body	Brass	Ni
Insulator	PTFE	—
Center conductor	Phosphor bronze	Au
Coupling Nut	Brass	Ni
Ferrule	Annealed Copper	Ni
Gasket	Silicone Rubber	—
Environmental		
Temperature Range		-40°C~+85°C
Weatherproof Rate		IP 67
RoHs Compliant		