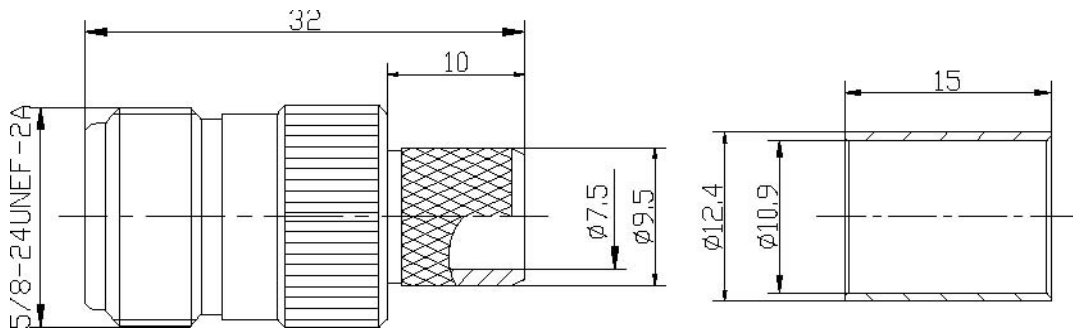


N Female Crimp Connector For LMR 400 Cable



Interface

According to

IEC 60169-16

Electrical

Characteristic Impedance

50 ohm

Frequency Range

DC-11GHz

VSWR

≤1.20@DC-3GHz

Dielectric Withstanding

≥2500V RMS,50Hz,at sea level

Voltage

Dielectric Resistance

≥5000MΩ

Contact Resistance

Center

Contact ≤1.0mΩ

≤0.25mΩ

Outer Contact

Mechanical

Durability

≥500

Mating cycles

Material and plating

Body

Material

Brass

Plating

Ni

Insulator

PTFFE

—

Center conductor

Phosphor Copper

Au

Ferrule

Annealed Copper

Ni

Environmental

Temperature Range

-40℃~